

Enclosures

Hinges

Locks

Handles

Accessories

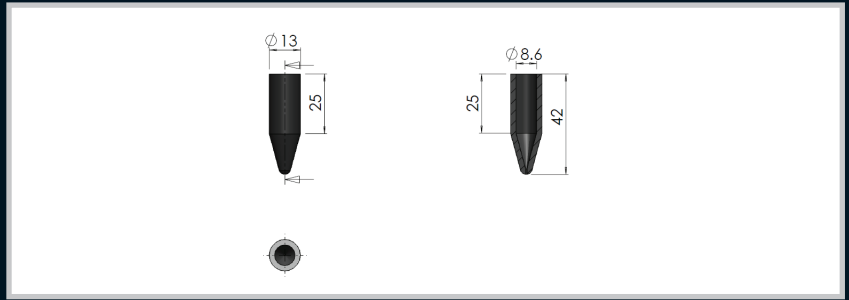
Rotary Operating  
Handles

Insulators

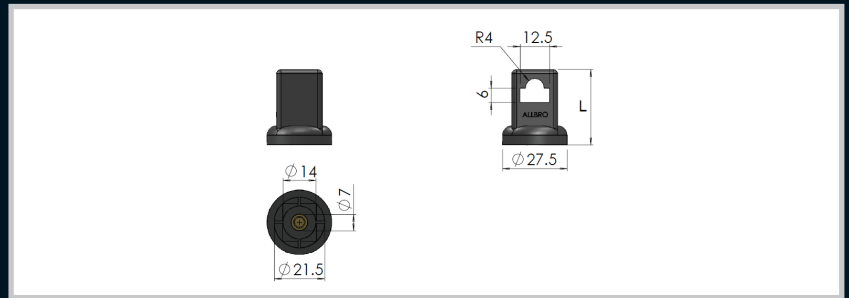
Transformer  
Equipment

Index

**Rods Accessories**

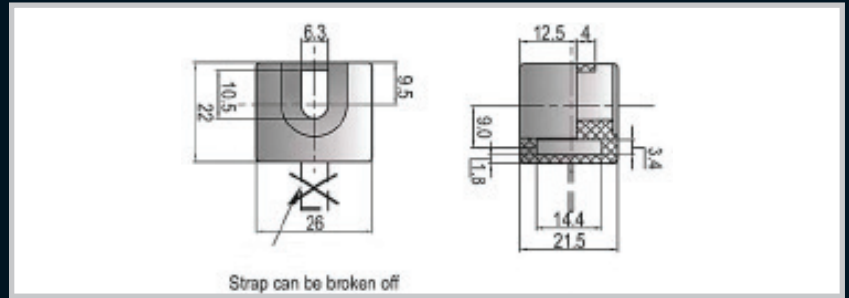


Part Number	Description
1000111	Rod End Tip

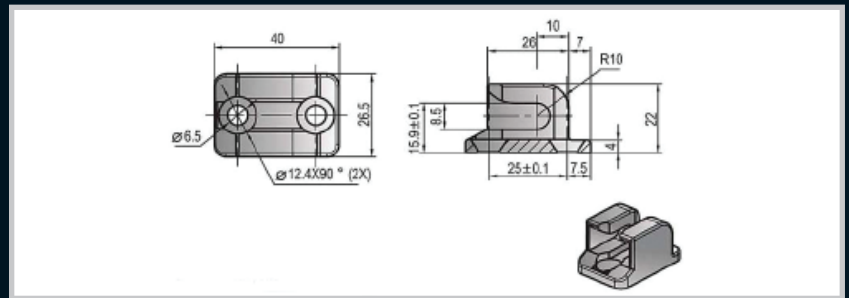


Part Number	Description	L (mm)
1000114	Rod Guide	32
1000114/38	Rod Guide	38

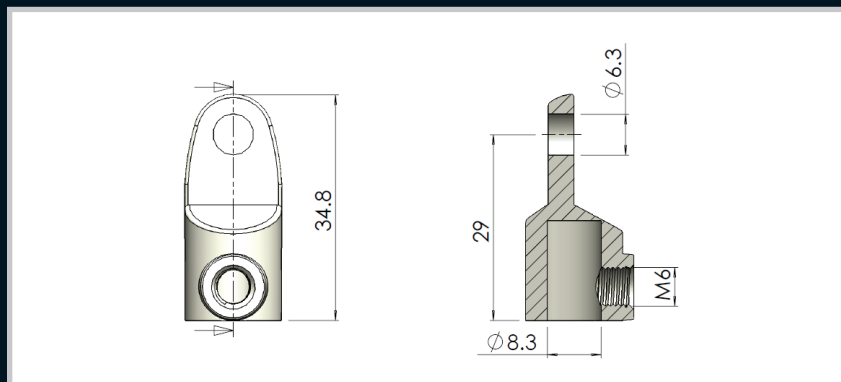
**Remarks:**  
1000114 is a flush mounted guide.  
1000114/38 is recessed mounted.



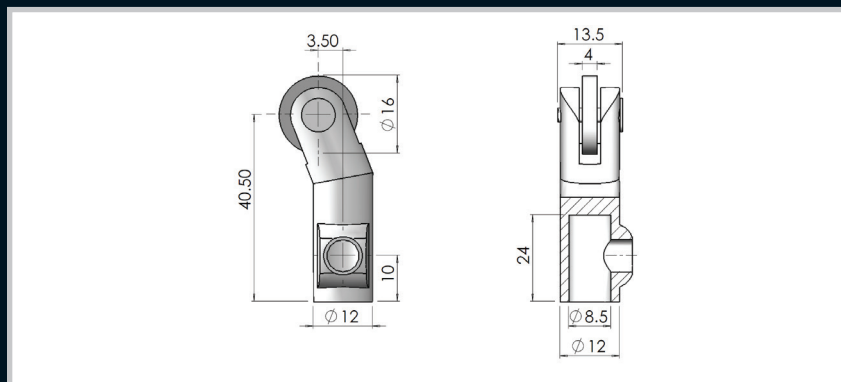
Part Number	Description
1000122	Nylon rod guide for flat bar



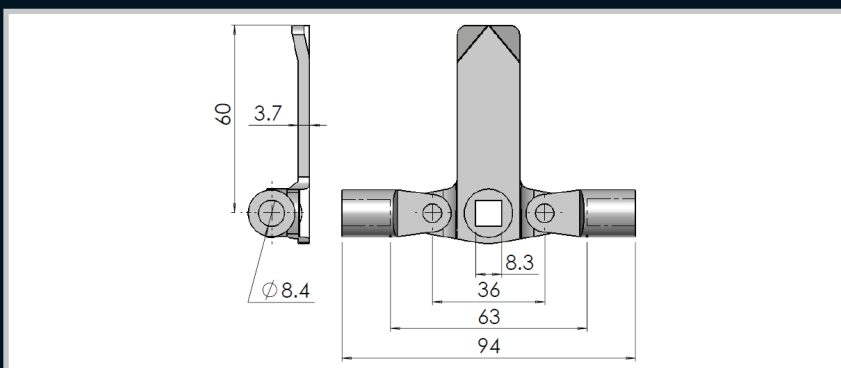
Part Number	Description
1000126	ZDC flat bar locking guide
1000126-R	ZDC flat bar locking guide , raised



Part Number	Description
017-053	Rod Adapter



Part Number	Description
A_RG007	Roller Rod End Attachment



Part Number	Material and Finish	Description
CAM08M/S8COMP	Mild steel natural finish	3 point cam with Rod adaptors
CAM08S/S8COMP	Full stainless steel natural finish	3 point cam with Rod adaptors

Enclosures

Hinges

Locks

Handles

Accessories

Rotary Operating  
Handles

Insulators

Transformer  
Equipment

Index