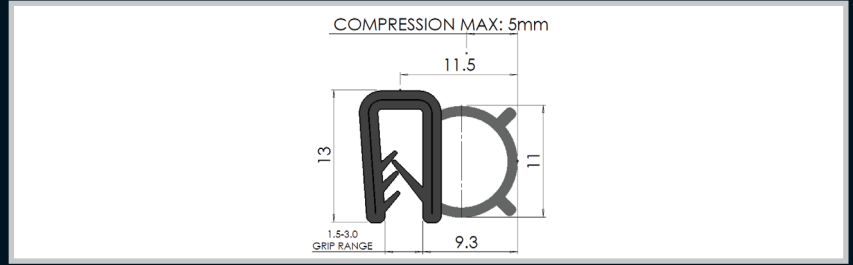


Enclosures

Rubber Sealing



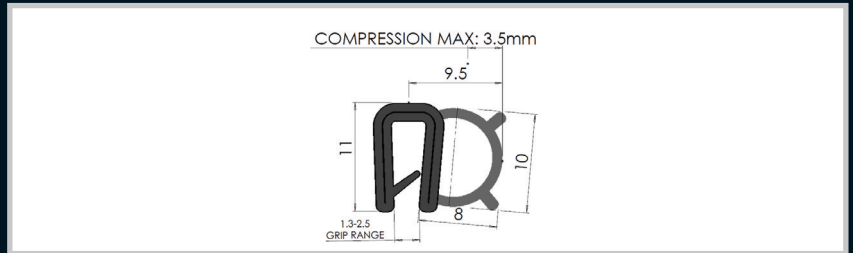
Remarks:
Side Mount

Part Number	Description	Ts (mm)
007-401	EPDM, with metal core, Soft foam rubber, black	0,7

Hinges

Locks

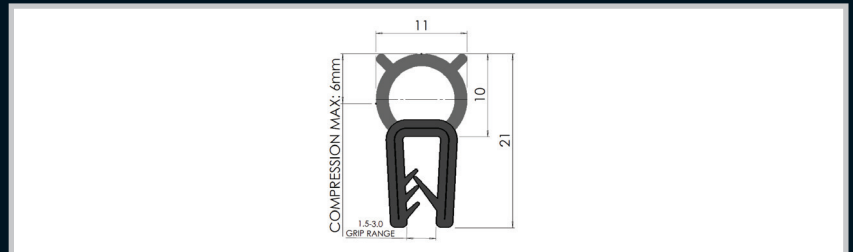
Handles



Remarks:
Side Mount

Part Number	Description	Ts (mm)
007-402	EPDM, with metal core, Soft foam rubber, black	0,7

Accessories



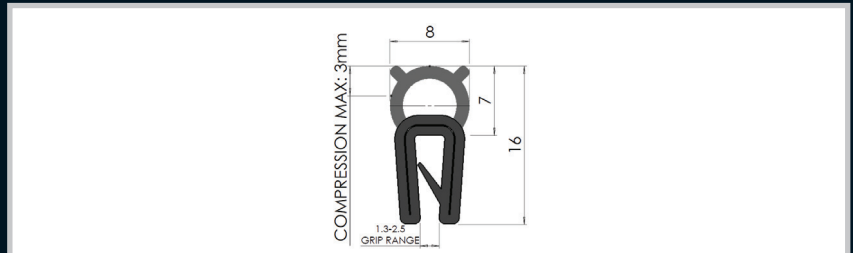
Remarks:
Top Mount

Part Number	Description	Ts (mm)
007-403	EPDM, With metal core, Soft foam rubber, black	0,5

Rotary Operating Handles

Insulators

Transformer Equipment



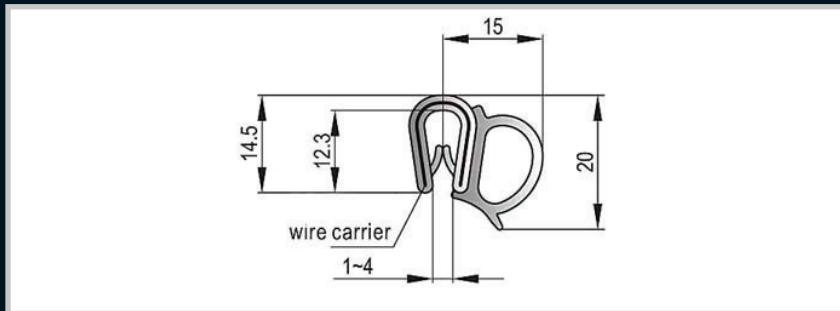
Remarks:
Top Mount

Part Number	Description	Ts (mm)
007-404	EPDM, With metal core, Soft foam rubber, black	0,7

Index



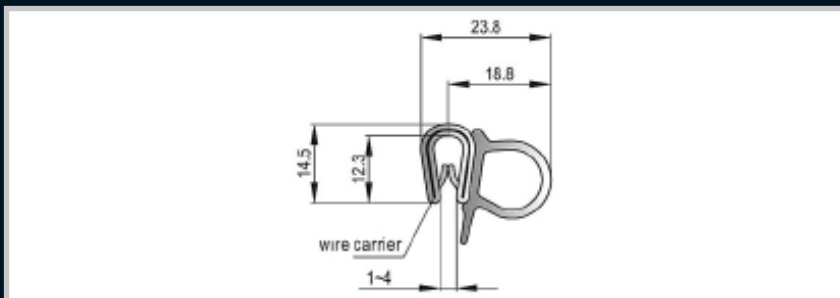
Remarks:
Side Mount



Part Number	Description	Ts (mm)
007-408	EPDM, With metal core, Soft foam rubber, black	0,5



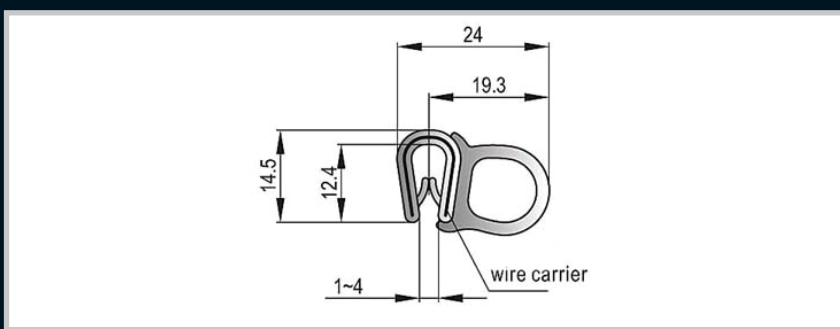
Remarks:
Side Mount



Part Number	Description	Ts (mm)
007-409	EPDM, With metal core, Soft foam rubber, black	0,5



Remarks:
Side Mount



Part Number	Description	Ts (mm)
007-410	EPDM, With metal core, Soft foam rubber, black	0,5

Enclosures

Hinges

Locks

Handles

Accessories

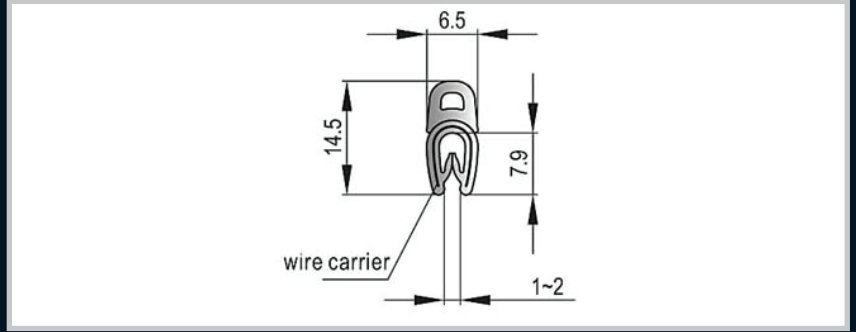
Rotary Operating
Handles

Insulators

Transformer
Equipment

Index

Enclosures

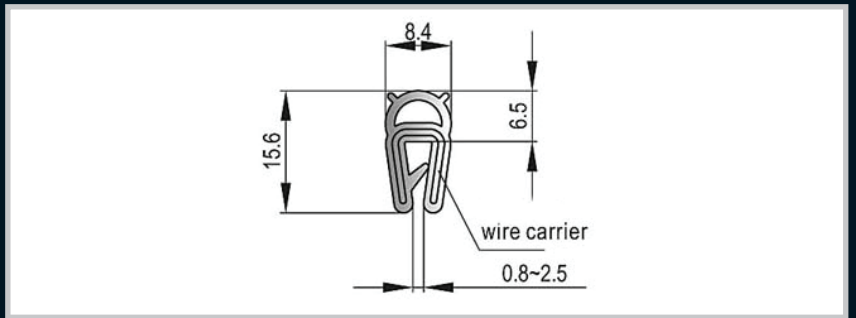


Remarks:
Top Mount

Part Number	Description	Ts (mm)
007-411	EPDM, With metal core, Soft foam rubber, black	0,5

Hinges

Locks

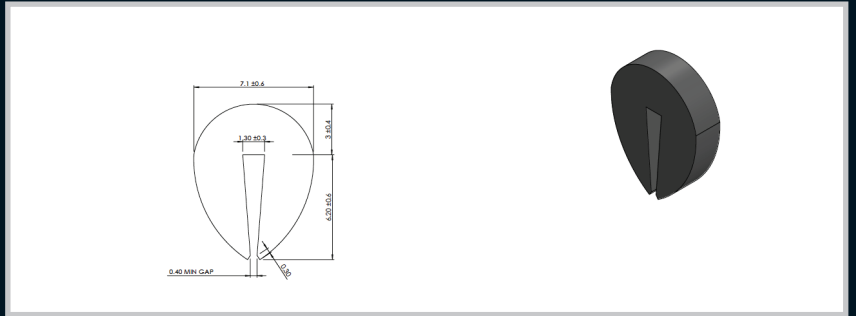
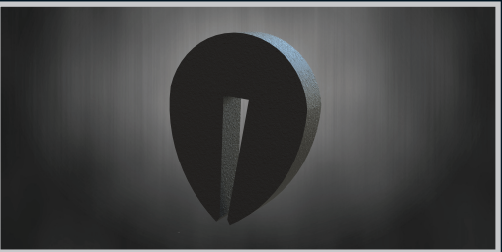


Remarks:
Top Mount

Part Number	Description	Ts (mm)
007-412	EPDM, With metal core, Soft foam rubber, black	0,4

Handles

Accessories



Remarks:
Top Mount

Part Number	Description
007-413	EPDM U Rubber Seal

Rotary Operating Handles

Insulators

Transformer Equipment

Index