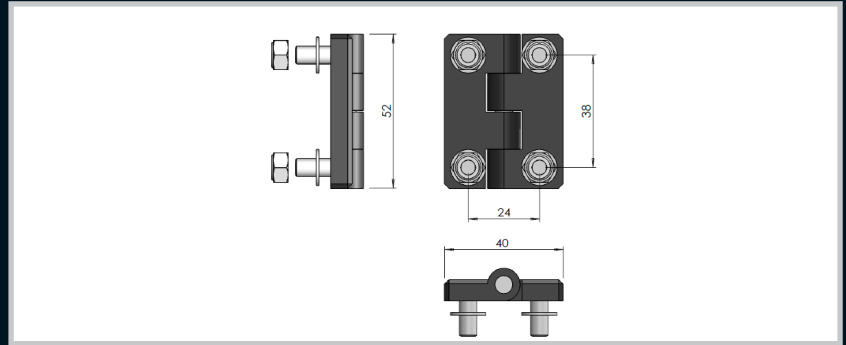


Enclosures

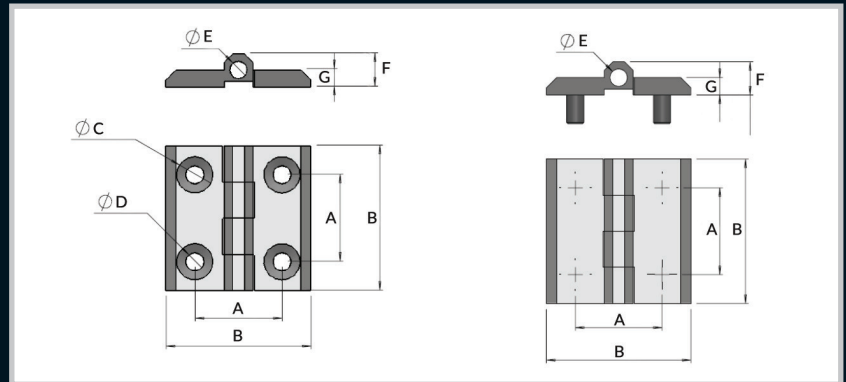
Hinges



Part Number	Description
1010168	ZDC, black powder coated, MS 6mm studs and fasteners
1010168S/S	Full stainless steel 6mm studs
1010168N	Nylon black with stainless steel 6mm studs and fasteners

Locks

Handles

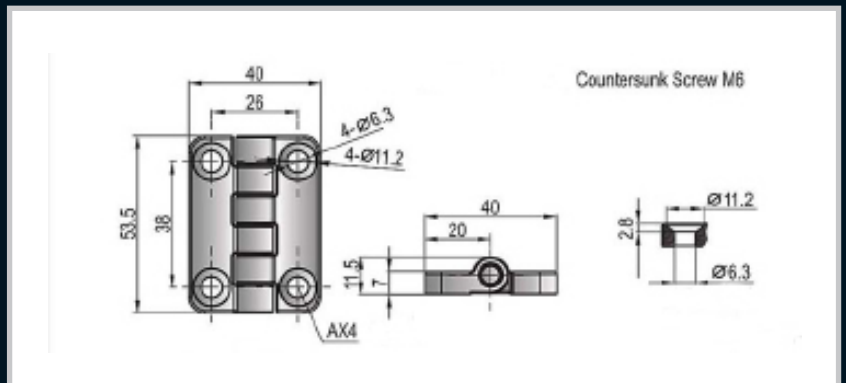


Accessories

Part Number	Description	A (mm)	B (mm)	C (mm)	D (mm)	E (mm)	F (mm)	G (mm)
60_60_36C/H	Countersunk hole, ZDC	36	60	16.5	8.4	8	15	8
60_60_36S/E	Screw embedded, ZDC	36	60	16.5	8.4	8	15	8
60_60_36C/HSS	Countersunk hole, stainless steel	36	60	16.5	8.4	8	15	8
50_50_30C/H	Countersunk hole, ZDC	30	50	12.5	6.3	6	11.5	6
50_50_30S/E	Screw embedded, ZDC	30	50	-	-	6	11.5	6
50_50_30C/HP	Countersunk hole, PA	30	50	12.5	6.3	6	11.5	6
50_50_30C/HSS	Countersunk hole, stainless steel	30	50	12.5	6.3	6	11.5	6

Rotary Operating Handles

Insulators

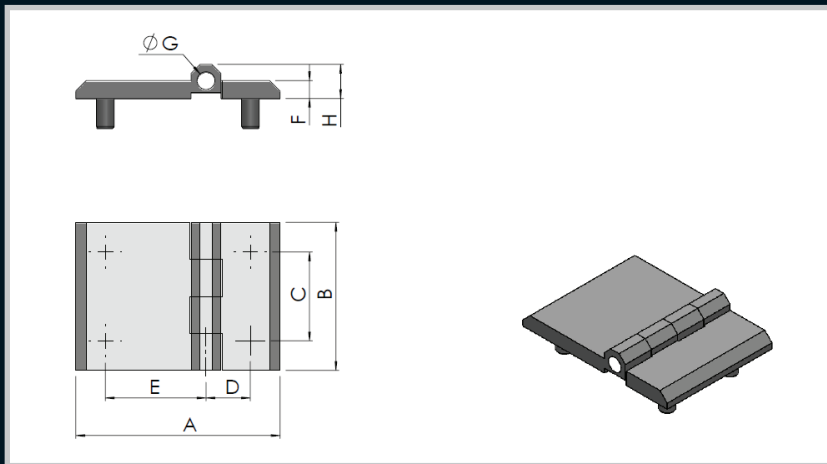


Transformer Equipment

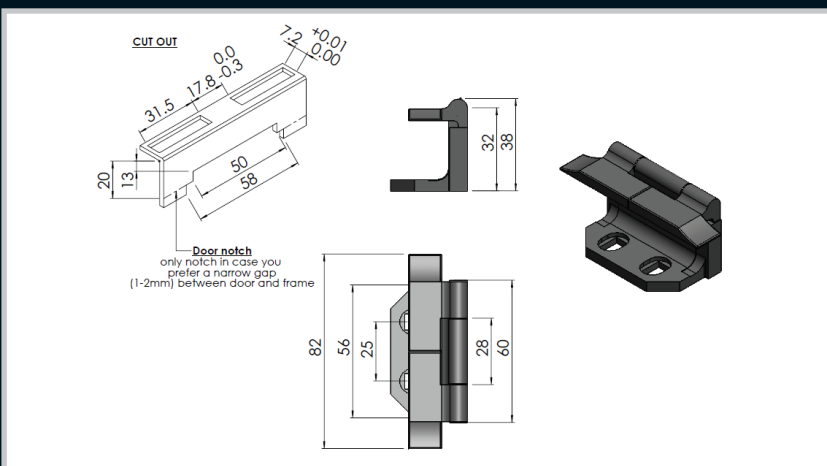
**Remarks:**  
Available in black powder coated and chrome finish.

Part Number	Description
40540/B	Black powder coated
40540/C	Chrome

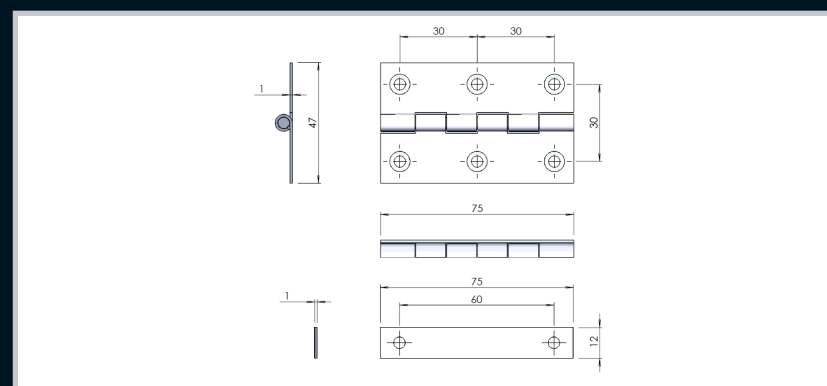
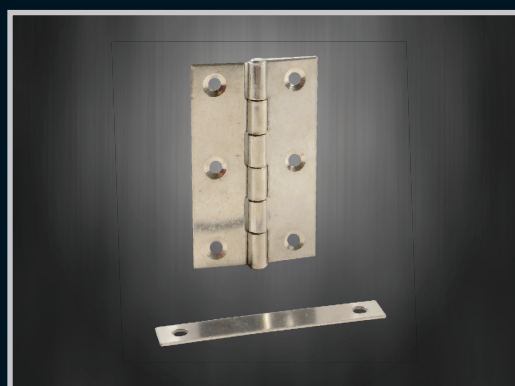
Index



Part Number	Description	A (mm)	B (mm)	C (mm)	D (mm)	E (mm)	F (mm)	G (mm)	H (mm)
90_60_36C/H	8.4 Countersunk hole, ZDC	90	60	36	18	44	8	8	15
90_60_36SE	M8 Screw embedded, ZDC	90	60	36	18	44	8	8	15



Part Number	Description
6037	Black PA hinge, opening angle 180°



Part Number	Description
083-002	Complete stainless steel natural finish

Enclosures

Hinges

Locks

Handles

Accessories

Rotary Operating  
Handles

Insulators

Transformer  
Equipment

Index