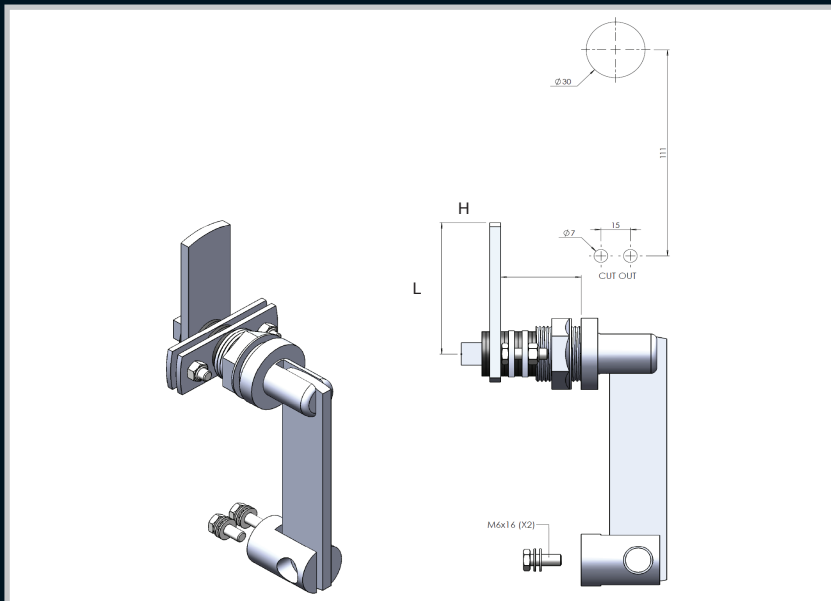


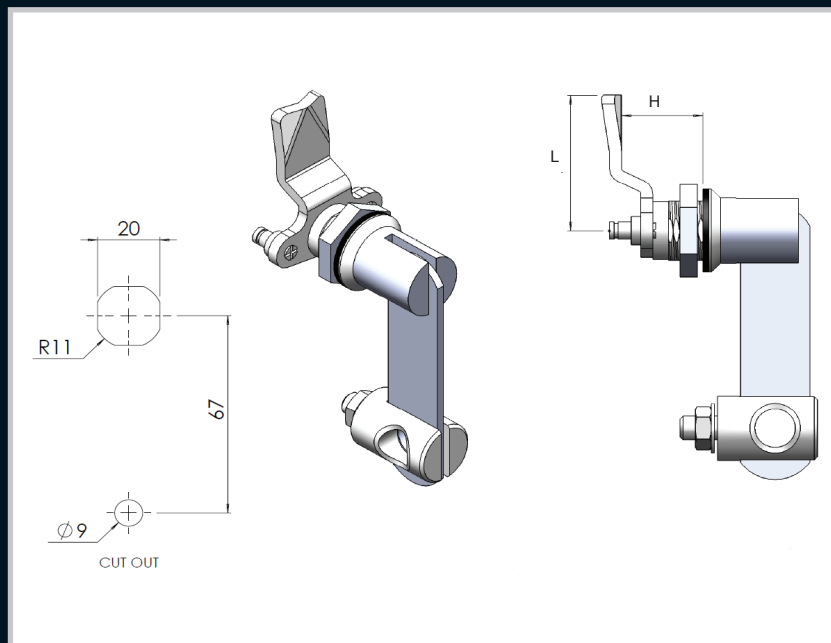
**Remarks:**  
Heavy duty lever lock available in ZDC or stainless steel.



Part Number	Description	H (mm)	L (mm)
1010175	ZDC body and MS Cam	45	70
1010175S/S	Complete Stainless steel	45	70
1010175T/S	Mild Steel with threaded shaft	45	70
1010175S/S-T/S	Stainless steel with threaded shaft	45	70



**Remarks:**  
IP65 quarter turn lever lock Eskom approved.  
Refer to page 159 for cam selection.



Part Number	Description	L (mm)	H (mm)
22_4_08_STRTS/S	Complete stainless steel	46	22
22_4_08STEPS/S	Complete stainless steel	46	26

Enclosures

Hinges

Locks

Handles

Accessories

Rotary Operating Handles

Insulators

Transformer Equipment

Index

Enclosures

Hinges

Locks

Handles

Accessories

Rotary Operating  
Handles

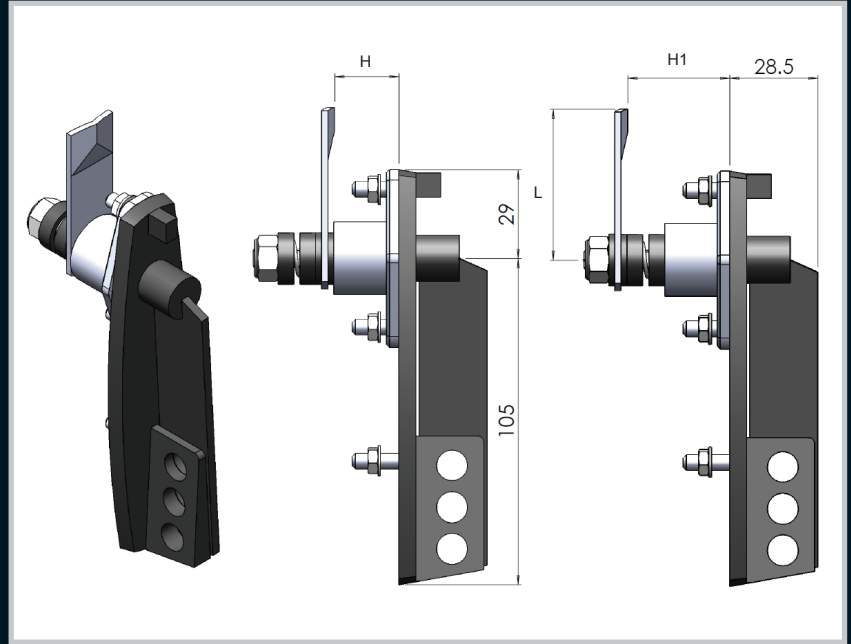
Insulators

Transformer  
Equipment

Index



**Remarks:**  
Municipal safety lever lock with a 3 hole locking system.

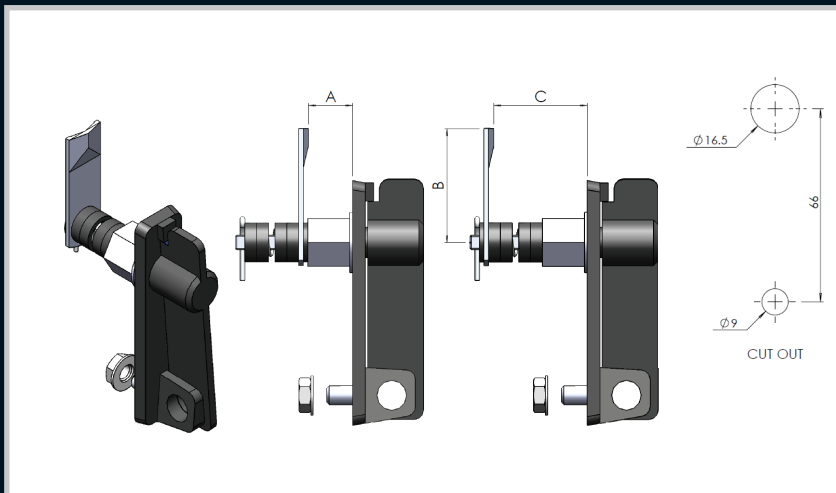


Part Number	Description	H (mm)	L (mm)	H1 (mm)
16_4_432_01/MS/3H	ZDC body with MS cam	30	35	30
16_4_432_02/MS/3H	ZDC body with MS cam	22	38	32
16_4_432_03/MS/3H	ZDC body with MS cam	28	40	38
16_4_432_04/MS/3H	ZDC body with MS cam	25	30	31
16_4_432_05/MS/3H	ZDC body with MS cam	25	31	50
16_4_432_06/MS/3H	ZDC body with MS cam	22	55	48
16_4_612_01/MS/3H	ZDC body with MS cam	30	50	30
16_4_612_02/MS/3H	ZDC body with MS cam	20	50	32
16_4_612_03/MS/3H	ZDC body with MS cam	28	52	38
16_4_612_04/MS/3H	ZDC body with MS cam	25	64	31
16_4_612_05/MS/3H	ZDC body with MS cam	25	64	50
16_4_612_06/MS/3H	ZDC body with MS cam	22	55	48
16_4_432_01/SS/3H	Complete stainless steel body and cam	30	35	30
16_4_432_02/SS/3H	Complete stainless steel body and cam	22	38	32
16_4_432_03/SS/3H	Complete stainless steel body and cam	28	40	38
16_4_432_04/SS/3H	Complete stainless steel body and cam	25	30	31
16_4_432_05/SS/3H	Complete stainless steel body and cam	25	31	50
16_4_432_06/SS/3H	Complete stainless steel body and cam	22	55	48
16_4_612_01/SS/3H	Complete stainless steel body and cam	30	35	30
16_4_612_02/SS/3H	Complete stainless steel body and cam	22	38	32
16_4_612_03/SS/3H	Complete stainless steel body and cam	28	40	38
16_4_612_04/SS/3H	Complete stainless steel body and cam	25	30	31
16_4_612_05/SS/3H	Complete stainless steel body and cam	25	31	50
16_4_612_06/SS/3H	Complete stainless steel body and cam	22	55	48

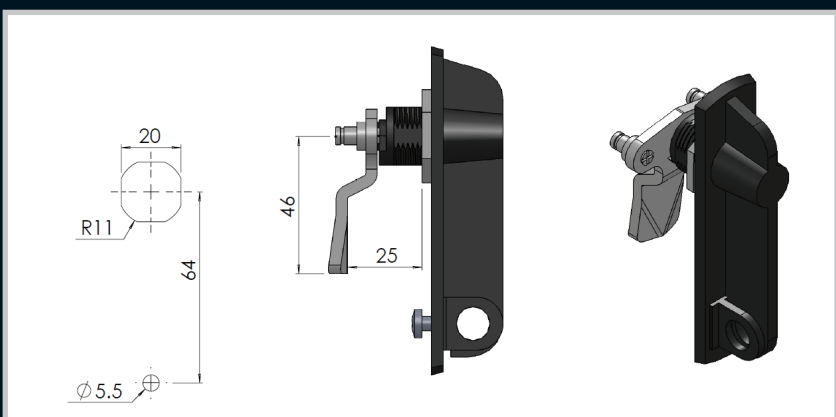


**Remarks:**

Light duty lever lock with adjustable depths, refer to page 159 for cam selection.



Part Number	Description	A (mm)	B (mm)	C (mm)
16_4_432_01	ZDC Body with MS cam,Black powder coated	22	25	30
16_4_612_01	ZDC Body with MS cam,Black powder coated	22	25	30
16_4_432_04n/z	ZDC Body with MS cam,Black powder coated	11	33	34
16_4_612_04n/z	ZDC Body with MS cam,Black powder coated	11	33	34
16_4_432_05n/z	ZDC Body with MS cam,Black powder coated	11	47	48
16_4_612_05n/z	ZDC Body with MS cam,Black powder coated	11	47	48
16_4_432_06	ZDC Body with MS cam,Black powder coated	17	50	49
16_4_612_06	ZDC Body with MS cam,Black powder coated	17	50	49
16_4_432_08	ZDC Body with MS cam,Black powder coated	17	50	49
16_4_612_08	ZDC Body with MS cam,Black powder coated	17	50	49
16_4_432_09n/z	ZDC Body with MS cam,Black powder coated	22	37	37
16_4_612_09n/z	ZDC Body with MS cam,Black powder coated	22	37	37



**Remarks:**

Refer to page 159 for 3 point locking cam selection.

Part Number	Description	L (mm)	H (mm)
22_4_00_08	ZDC Black powder coated, MS cam Galvanized	46	25

Enclosures
Hinges
Locks
Handles
Accessories
Rotary Operating Handles
Insulators
Transformer Equipment
Index