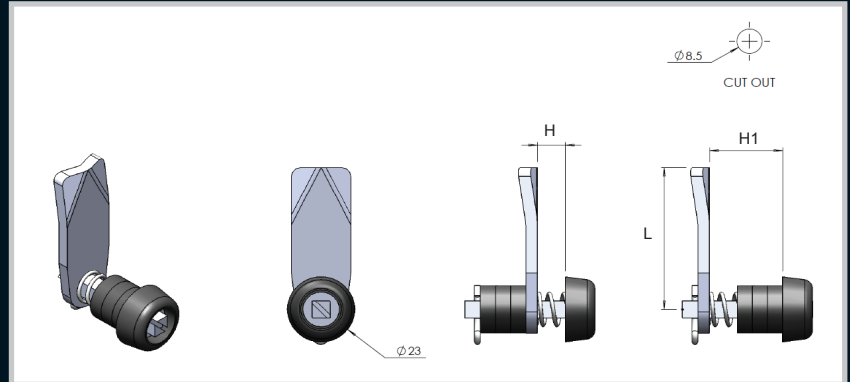


**Spring Loaded Locks**

Enclosures

Hinges

Locks

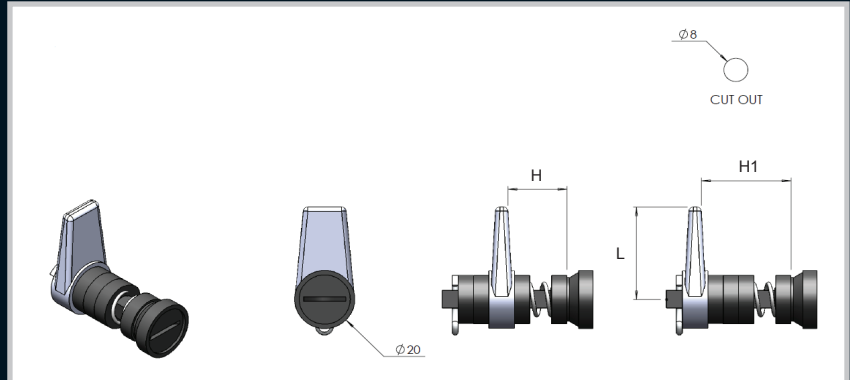


**Remarks:**  
Spring loaded latch with adjustable depths.

Part Number	Material	Insert Type	Insert size (mm)	H (mm)	H1 (mm)	L (mm)
222309	Polyamide body, Mild steel shaft and cam	Square	6	8	25	34

Handles

Accessories



**Remarks:**  
Spring loaded coin lock with adjustable depths.

Part Number	Material	Insert Type	Insert size (mm)	H (mm)	H1 (mm)	L (mm)
8_5_271_01N	Polyamide body, Mild steel shaft and cam	Coin Slot	8	5	13	30
8_5_371_01N	Polyamide body, Mild steel shaft and cam	Coin Slot	8	5	23	30
8_5_271_04Z/N	Polyamide body, Mild steel shaft and cam	Coin Slot	8	1.5	27	34
8_5_371_04Z/N	Polyamide body, Mild steel shaft and cam	Coin Slot	8	1.5	37	34
8_5_271_05Z/N	Polyamide body, Mild steel shaft and cam	Coin Slot	8	1.5	27	48
8_5_371_05Z/N	Polyamide body, Mild steel shaft and cam	Coin Slot	8	1.5	37	48
8_5_271_06	Polyamide body, Mild steel shaft and cam	Coin Slot	8	4	28	49
8_5_371_06	Polyamide body, Mild steel shaft and cam	Coin Slot	8	4	38	49
8_5_271_09Z/N	Polyamide body, Mild steel shaft and cam	Coin Slot	8	5	16	37
8_5_371_09Z/N	Polyamide body, Mild steel shaft and cam	Coin Slot	8	5	26	37

Rotary Operating Handles

Insulators

Transformer Equipment

Index