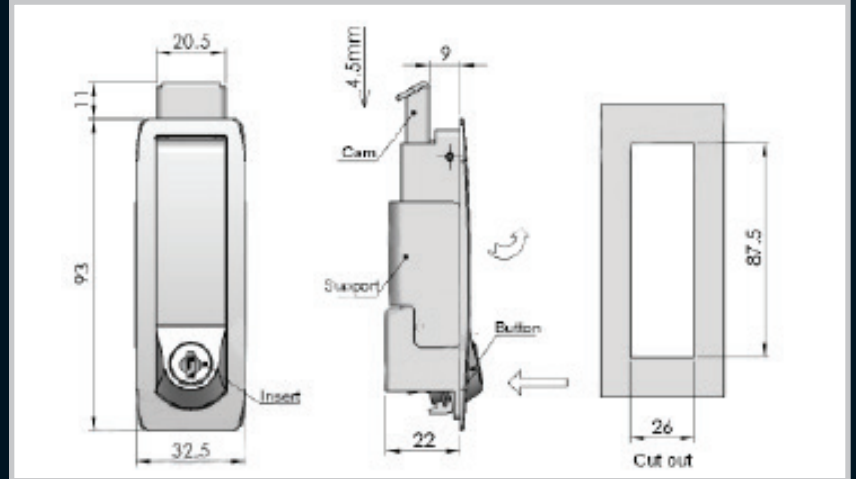


Enclosures

Hinges

Locks



Part Number	Description
87_2_09B/K	Key lockable push button handle. Sand blast black

Handles

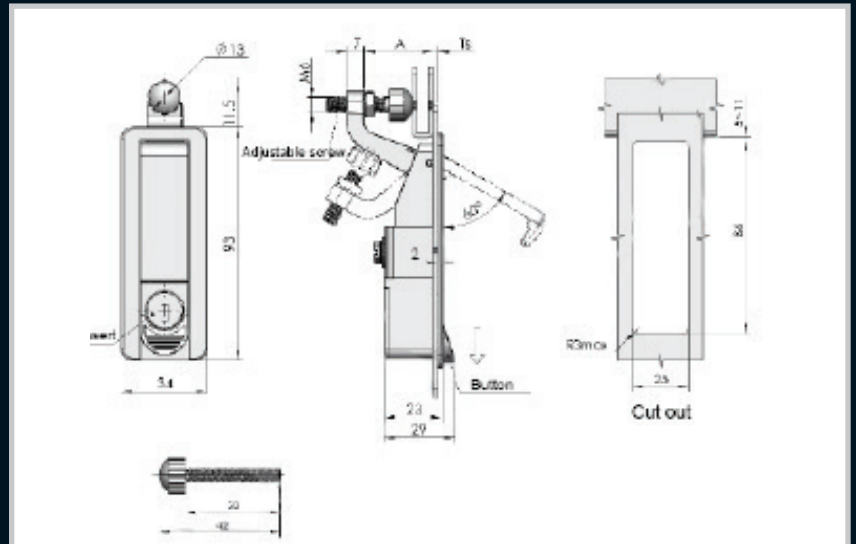
Accessories

Rotary Operating
Handles

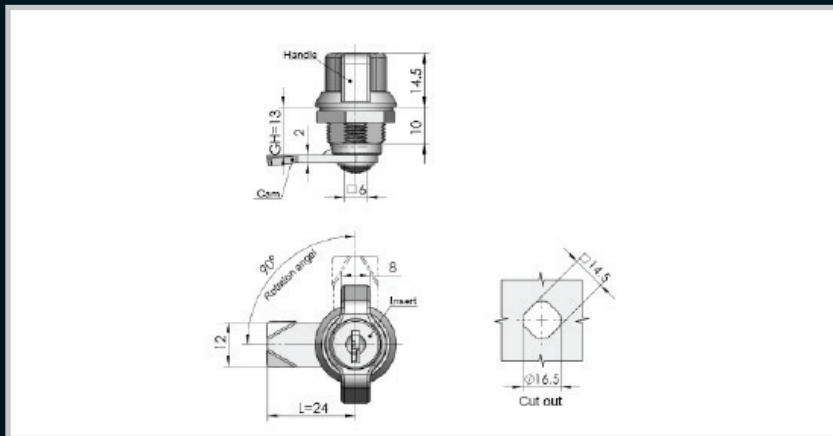
Insulators

Transformer
Equipment

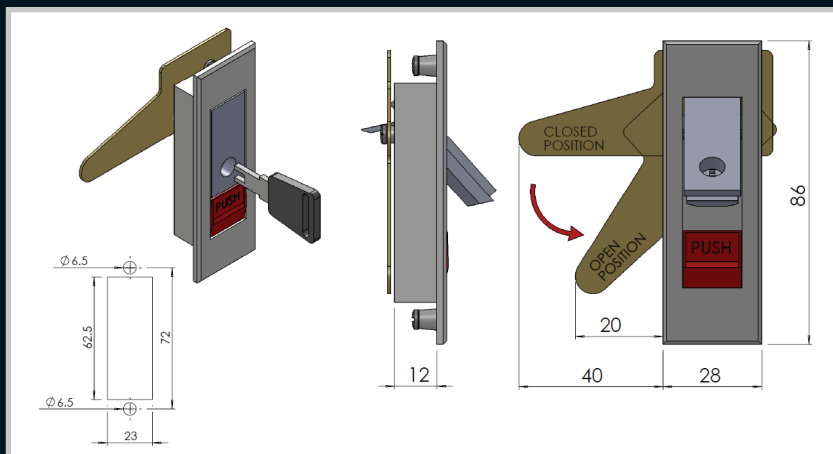
Index



Part Number	Description
86_2_29B/K	Key lockable push handle with adjustable depth, black powder coated



Part Number	Description
16_3_13W/K	Key Lockable wing knob



Remarks:
Quick release flush lever lock.

Part Number	Description
1010186	ZDC housing and insert PA button and MS cam.

Enclosures

Hinges

Locks

Handles

Accessories

Rotary Operating
Handles

Insulators

Transformer
Equipment

Index