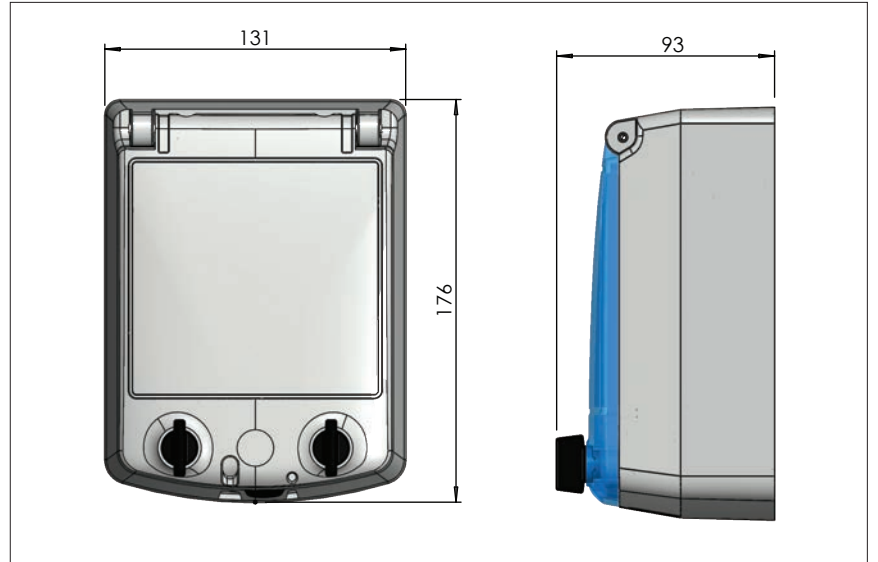


STEALTH ISOLATOR BOX (PC & GRP)



Part Number	Description
040-972	Isolator Stealth with GRP flap
040-973	Isolator Stealth with PC flap

- Fully waterproof (IP66)
- Made from GRP (Glass Reinforced Polyester) and PC for flap
- Flush/Surface mount
- Padlockable

Information on Isolator Switch:

- Product Rating: 25A, 250V AC
- Icw: 300A/1s, Icm: 1000A

